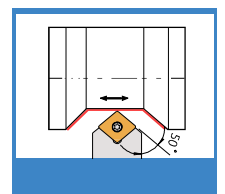
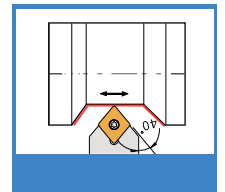
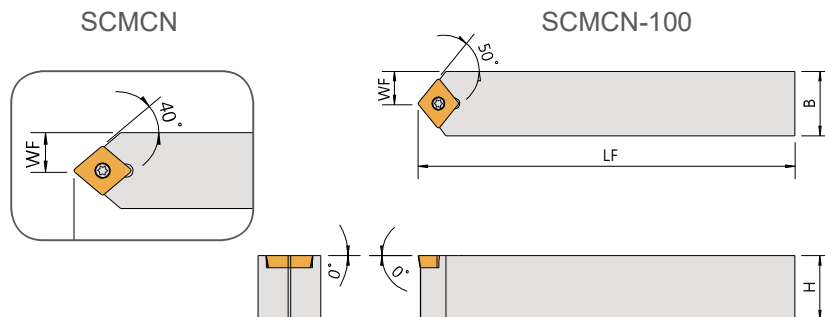
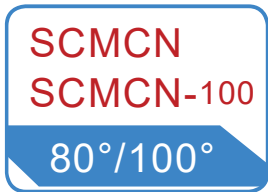


Order No.	Insert	Dimensions(mm)					Parts			Wrench	
		柄高 H	柄寬 B	長度 LF	頭長 LH	工作寬度 WF					
SCLCR/L-2020K09S	CCMT09T3	20	20	125	22	25	SMC-343	SN535	CS35119S	FT-15	LW035
SCLCR/L-2525M09S		25	25	150	25	32					
SCLCR/L-2020K12S	CCMT1204	20	20	125	22	25	SMC-453	SN630	CS40145	FT-15	LW040
SCLCR/L-2525M12S		25	25	150	25	32					



Order No.	Insert	Dimensions(mm)				Parts		Wrench	
		柄高 H	柄寬 B	長度 LF	工作寬度 WF				
SCMCN-1212H09	CCMT09T3	12	12	100	6	CS35090	FT-15		
SCMCN-1616H09		16	16	100	8				
SCMCN-2020K09		20	20	125	10				
SCMCN-2525M09		25	25	150	12.5				
SCMCN-2020K12	CCMT1204	20	20	125	10	CS40115	FT-15		
SCMCN-2525M12		25	25	150	12.5				
SCMCN-1212H09-100	CCMT09T3	12	12	100	6	CS35090	FT-15		
SCMCN-1616H09-100		16	16	100	8				
SCMCN-2020K09-100		20	20	125	10				
SCMCN-2525M09-100		25	25	150	12.5				
SCMCN-2020K12-100	CCMT1204	20	20	125	10	CS40115	FT-15		
SCMCN-2525M12-100		25	25	150	12.5				